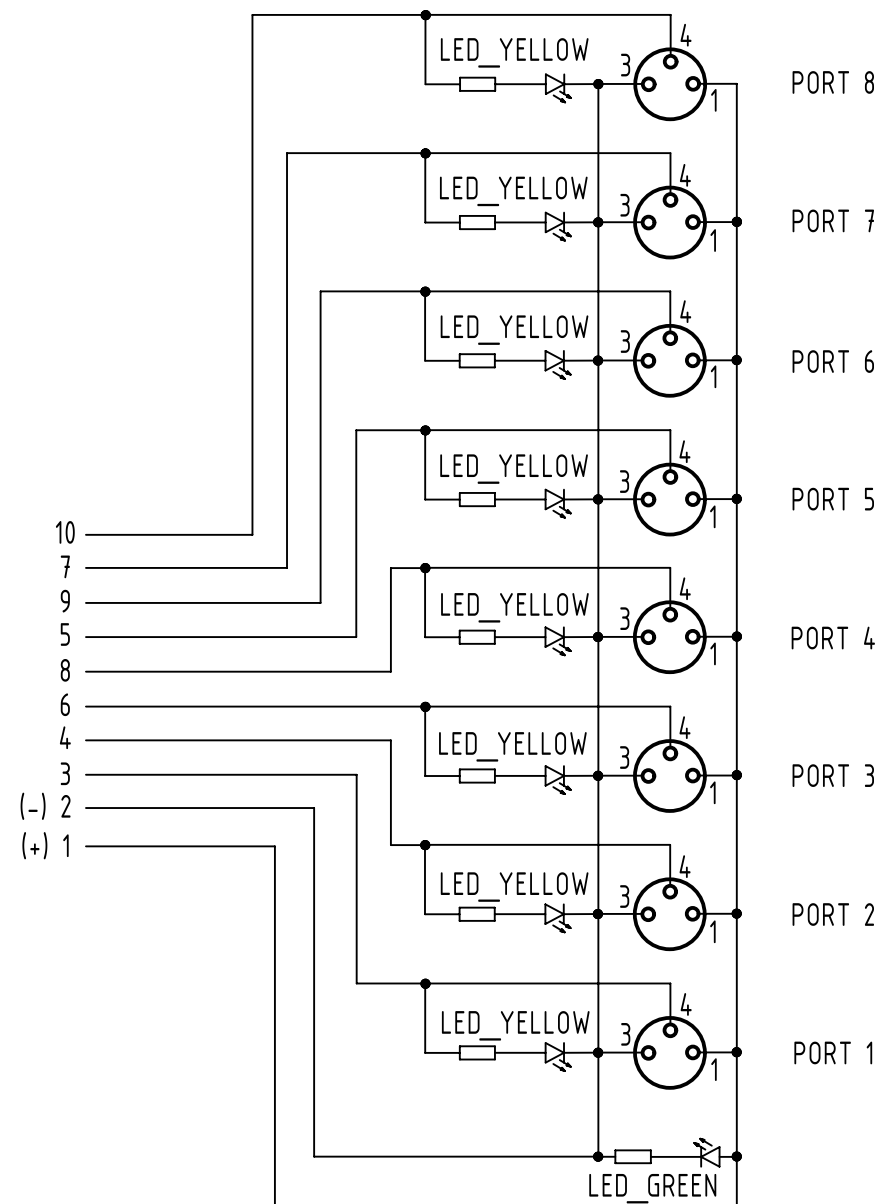


Electrical data:
 -Rated voltage: 15-30V DC
 -Nominal: 2 A per Contact
 -Current: 6 A max total

Loading plan



- Protection level: IP 67
 - Temperature range: -25°C...+80°C

All Dimensions in mm		Tech. Character.		Free size tol.		According to production drawing	
	All rights reserved		Created by	Inspected by	Standardisation	Date	State
	Department HCS - RO		MUNTEANV	POPESCU	AVRAM	2017-04-24	Final Release
HARTING Customised Solutions		Title				Doc-Key / ECM-Nr.	
D-32427 Minden		har-SAB M8/8/3p M12/12p				100689687/UGD/000/B 500000118447	
		Type	Number		Rev.	Page	
		TB	090700620100		B	1/1	